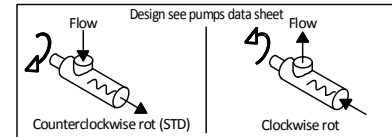
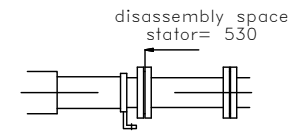
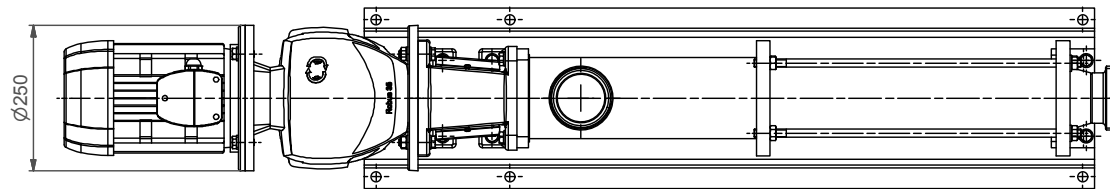
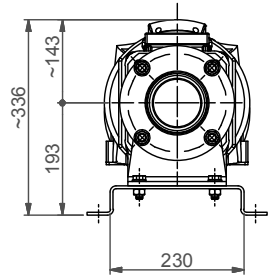
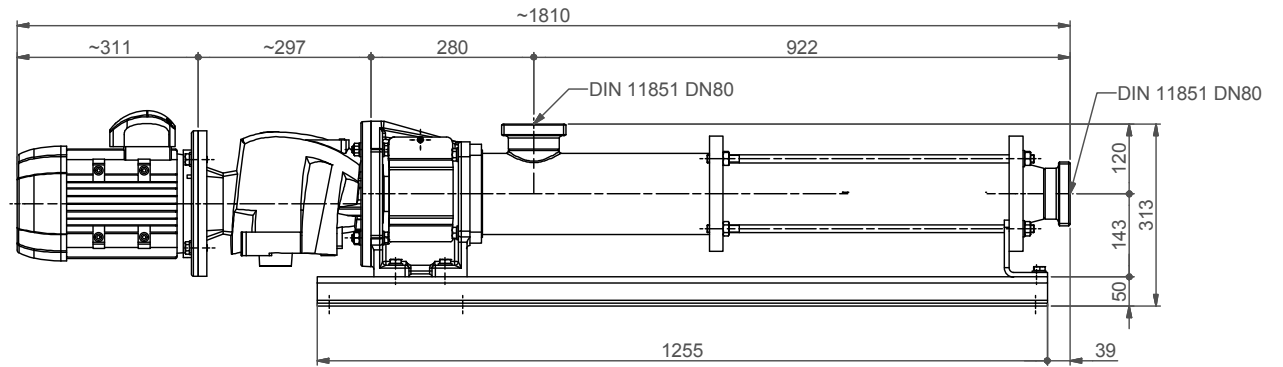
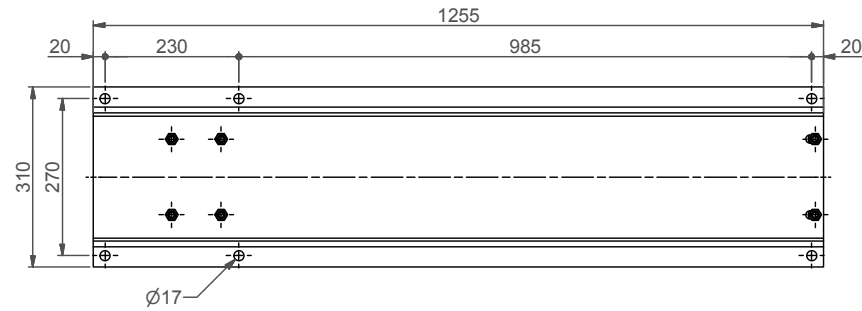


C.W.M. S.R.L.



Replacement for:

TYPE: **MD50-2**

Denomination:

Dimensional Drawing

Replacement by:

Drawn: GM

Date: 1/14

Check: GM

Date: 1/14

Scale: 1:13



Weight: 158 kg

Sheet 1 of 1

General Tolerances ISO 2768-v
Geometrical tolerance and roughness ISO 1302